

VIZULO



MINI MARTIN

2017

CE RoHS

KEMA
KEUR



ABOUT

Traffic roads - Residential Street/Area,
 Architectural & Landscape, Sports Lighting,
 Large Outdoor Industrial Area - Agricultural Area

Ventilation cable gland

combines pressure equalization and cable gland in a single unit. It ensures high air flow rates as well as high water protection capacity

Impact resistance

IK08 (Vandal protected) for the complete luminaire

Glass

Flat glass. Glass is fixed to die-cast aluminium frame with screws

LED module

High quality LED's with optimal thermal resistance and energy consumption characteristic, for high lumen output and long expected life time. Color temperature available: 3000K, 4000K (5000K, 5700K available on customer request)



Module temperature control

The LED driver will start reducing the light output when the LED's approach critical temperature. The temperature is measured via a sensor placed on the PCB (function available on customer request)

Body

Die-cast aluminium

Lighting protection

Built-in surge protection starting from 6 kV till 10 kV

Light regulation

MINI MARTIN drivers offer integrated midnight dimming and network-controlled 1-10V and DALI protocols

Protection

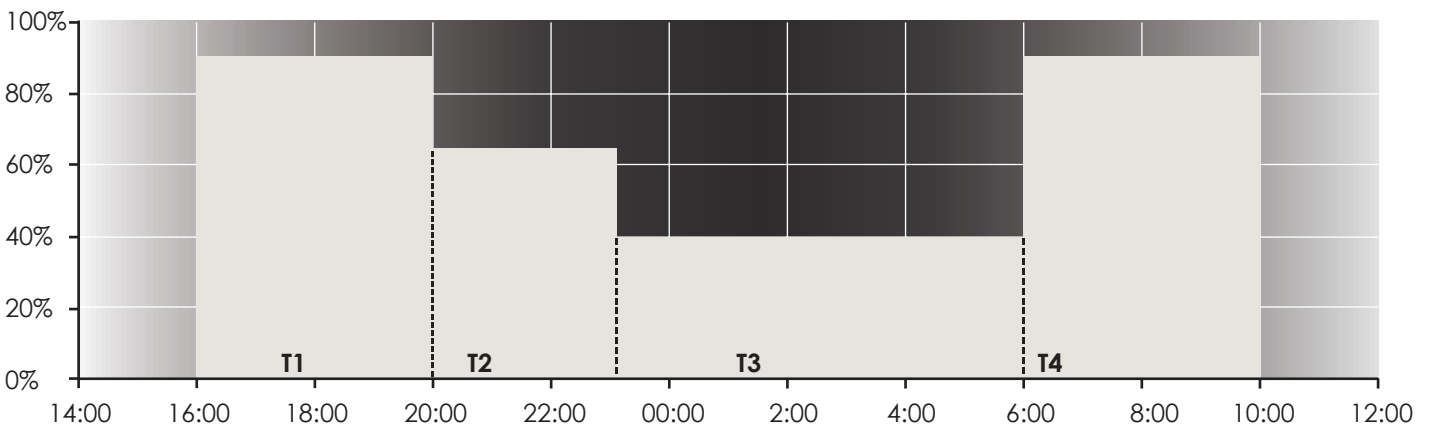
IP66 for the complete luminaire

Intelligent light control system

Power line or radio frequency

MIDNIGHT DIMMING

Integrated midnight dimming lighting control allows pre-programmed multi-level dimming. Lower light levels during off-peak hours, gives considerable savings in energy cost.



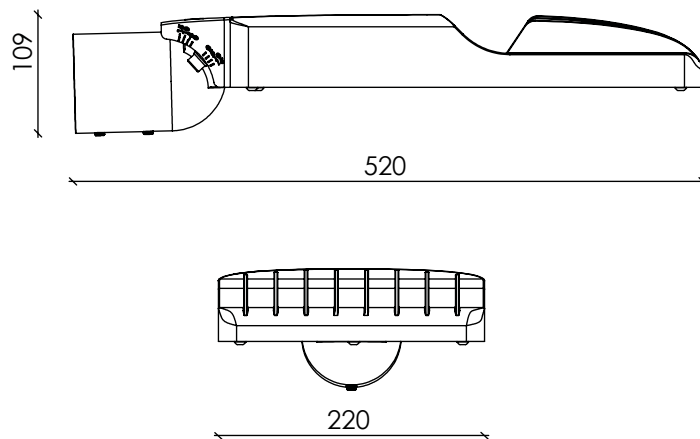


COLOR OPTIONS

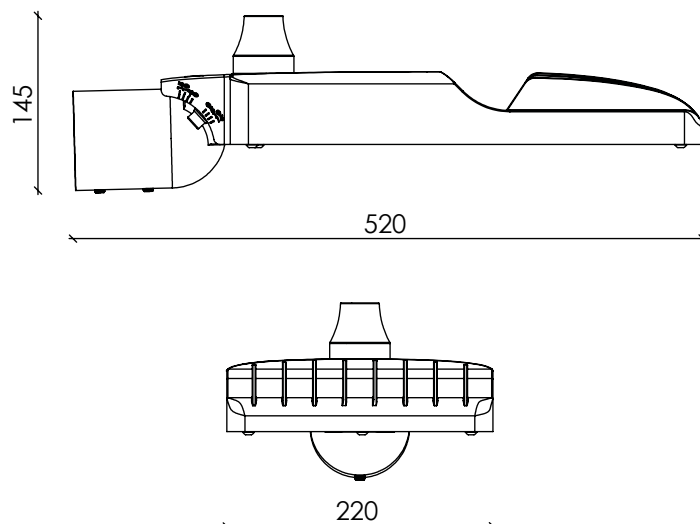


OTHER COLORS
AVAILABLE ON REQUEST

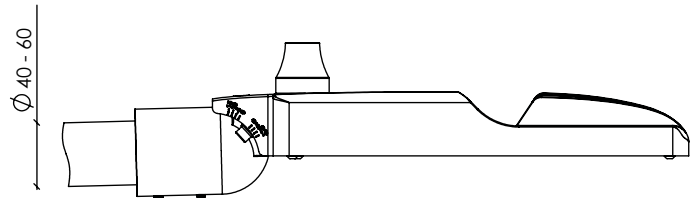
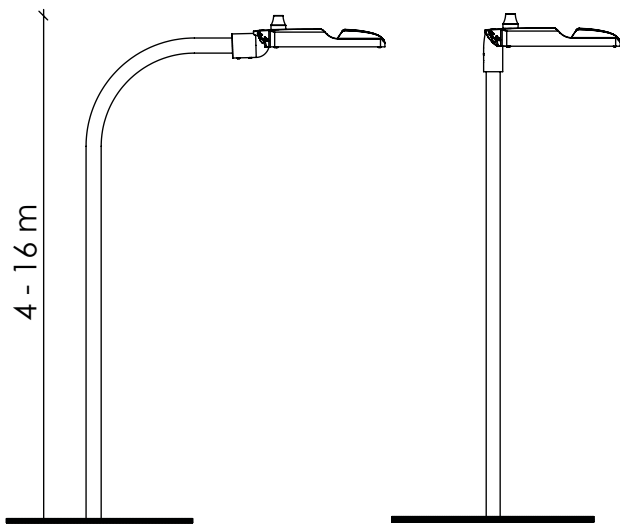
DIMENSIONS



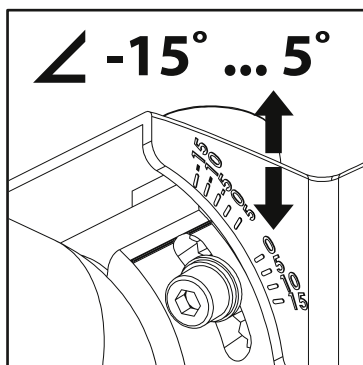
DIMENSIONS WITH RF ANTENA



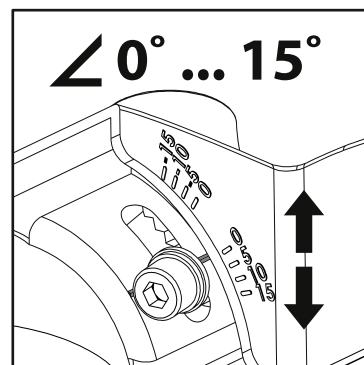
CONSOLE DIMENSIONS



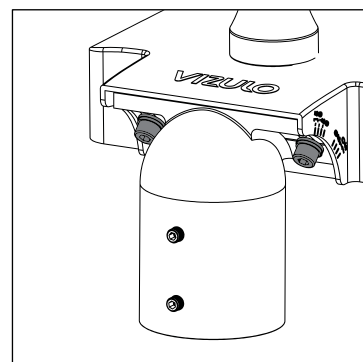
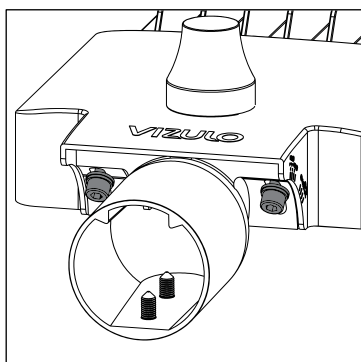
ANGLE POSITION DIMENSIONS



HORIZONTAL ENTRY



VERTICAL ENTRY



TECHNICAL INFORMATION

STANDARD MODULES

Voltage, V	220-240											
Frequency, Hz	50-60											
	4000 K											
Number of LED's	8			16			24			36*		
Nominal current, mA	350	500	700	350	500	700	350	500	700	350	500	700
Power, W	10	15	19	20	27	35	29	39	52	40	56	78
Luminous Flux, Lm	1069	1652	2069	2470	3286	4144	3682	4872	6259	4932	6676	8910
Efficacy, Lm/W	106	110	108	123	121	118	126	124	120	123	119	114
Power factor, PF	0,75	0,80	0,86	0,88	0,93	0,95	0,94	0,96	0,98	0,95	0,98	0,98
Color temperature, K	3000/4000 ⁽¹⁾											
Working temperature, °C	-40°C to +50°C											
CRI	Ra>70 ⁽²⁾											
Protection class	IP66											
Impact resistance class	IK08											
Safety class	I and II											
Intelligent light control system	Radio frequency ⁽³⁾											
Body material	Die-cast aluminum											
Dimming	1-10V, DALI, Midnight dimming											
Surge protection, kV	6; 10 kV (optional) ⁽⁴⁾											
Spigot, mm	ø 40-60, with accessories ø 32; ø 76											
Warranty, years	3											
Service Life, h	100 000 h (L90B10C10) ⁽⁵⁾											
Luminaire efficacy	3000 K			10 - 78 W			1069 - 8910 lm			107 - 114 lm/W		
	4000 K			10 - 78 W			1106 - 9217 lm			111 - 118 lm/W		
	5000 K			10 - 78 W			1143 - 9524 lm			114 - 122 lm/W		

1) 5000; 5700 K available on request

2) Luminaires with color rendering index (CRI): Ra > 80 are available according to customers special orders

3) Optional. Available only with DALI ; 1 - 10 V

4) 10 kV (L-N; L/N-PE) surge protection device available on request

5) at Ta=25°, this value is only informative and may change according to selected article.

* ONLY WITH OPTIC 01/ 02/ 03

TECHNICAL INFORMATION

HIGH DENSITY MODULES

Voltage, V 220-240

Frequency, Hz 50-60

4000 K

Number of LED's	16			32			48			
	350	500	680	350	500	700	350	500	700	730
Nominal current, mA	350	500	680	350	500	700	350	500	700	730
Power, W	20	27	35	37	51	68	53	76	102	110
Luminous Flux, Lm	2331	3150	3990	4386	6061	8018	6715	9305	11979	12752
Efficacy, Lm/W	116	116	115	118	118	117	126	122	117	115
Power factor, PF	0,91	0,95	0,97	0,95	0,97	0,97	0,96	0,98	0,96	0,97
Color temperature, K	3000/4000 ⁽¹⁾									
Working temperature, °C	-40°C to +50°C									
CRI	Ra>70 ⁽²⁾									
Protection class	IP66									
Impact resistance class	IK08									
Safety class	I and II									
Intelligent light control system	Radio frequency ⁽³⁾									
Body material	Die-cast aluminum									
Dimming	1-10V, DALI, Midnight dimming									
Surge protection, kV	6; 10 kV (optional) ⁽⁴⁾									
Spigot, mm	ø 40-60, with accessories ø 32; ø 76									
Warranty, years	3									
Service Life, h	100 000 h (L90B10C10) ⁽⁵⁾									
Luminaire efficacy	3000 K			20 - 110 W			2282 - 12752 lm			114 - 117 lm/W
	4000 K			20 - 110 W			2361 - 13192 lm			118 - 120 lm/W
	5000 K			20 - 110 W			2439 - 13631 lm			122 - 124 lm/W

1) 5000; 5700 K available on request

2) Luminaries with color rendering index (CRI): Ra > 80 and Ra > 90 are available according to customers special orders

3) Optional. Available only with DALI ; 1 - 10 V

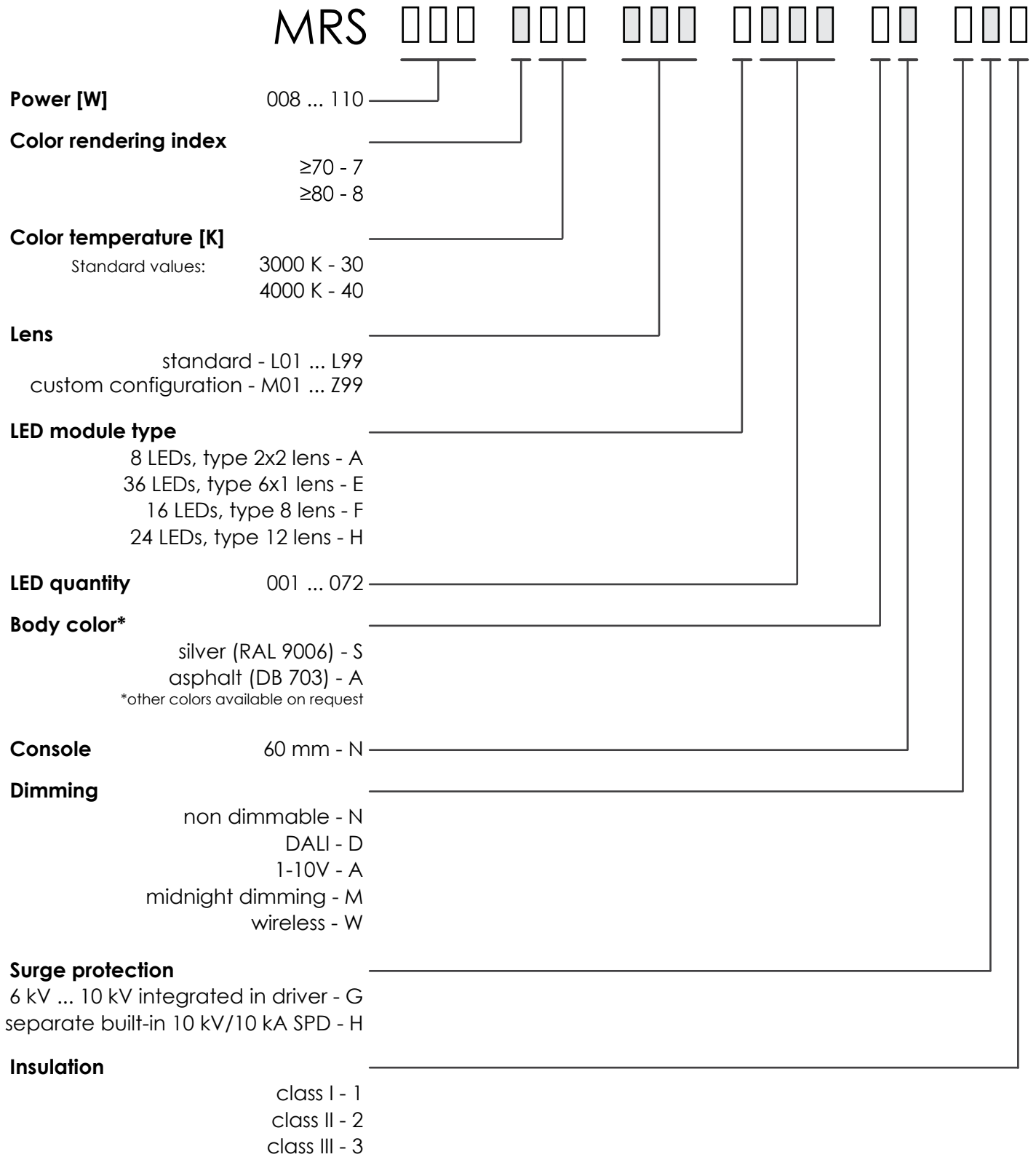
4) 10 kV (L-N; L/N-PE) surge protection device available on request

5) at Ta=25°C, this value is only informative and may change according to selected article

* ONLY WITH OPTIC 04/ 05/ 20/ 22

Last modified
2017, 28 March
 Data subject to chance

MODEL NAME PRINCIPLES



* OTHER CODES CAN BE GENERATED AFTER CUSTOMER REQUEST!